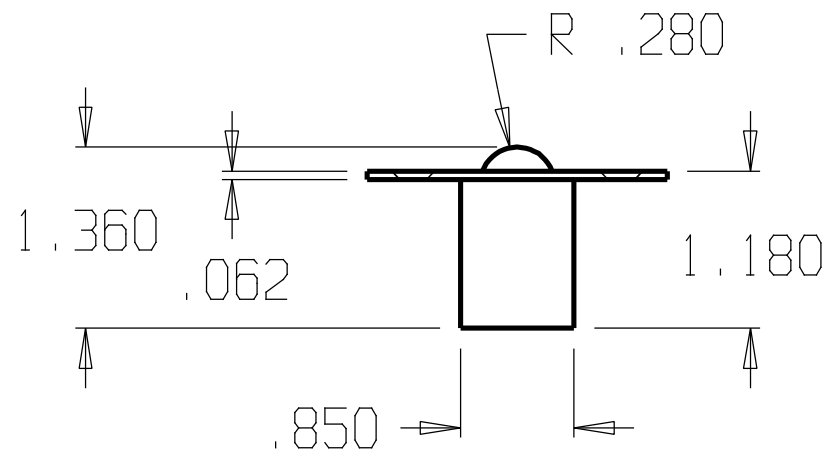
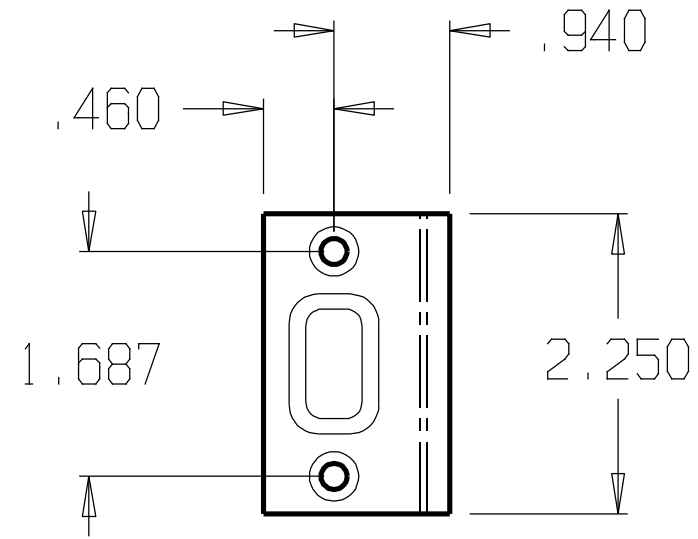
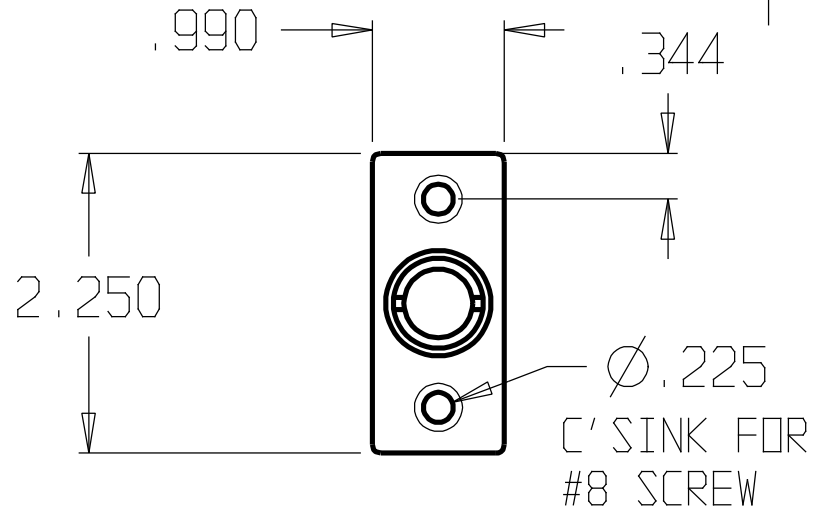


REVISIONS				
ZONE	REV	FINISHES:	DATE	APPROVED
		605, 609		



DON-JO MFG. INC.		SIZE	DATE:	PART NO.	REV
		A	10/6/11	#1714	
DESIGNER	APPROVED	SCALE	RELEASE DATE	WEIGHT	SHEET